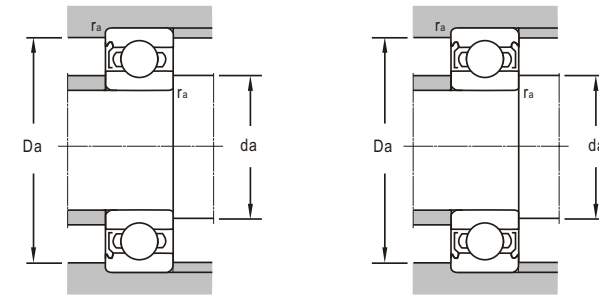
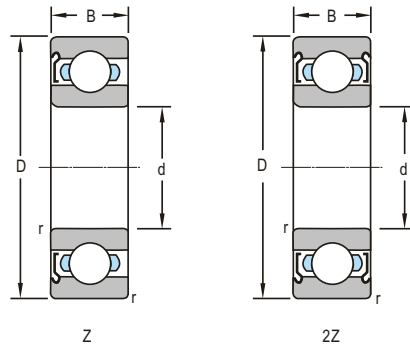


d 10~25mm

Boundary Dimensions				Basic Load Ratings		Limiting Speeds	
<i>d</i>	<i>D</i>	<i>B</i>	<i>r_{min}</i>	Dynamic <i>C</i>	Static <i>C₀</i>	Grease	Oil
mm				kN		r/min	
10	30	9	0.6	6.6	3.2	24000	30000
	30	9	0.6	6.6	3.2	24000	30000
	35	11	0.6	8.06	3.4	20000	26000
	35	11	0.6	8.06	3.4	20000	26000
12	28	8	0.3	4.98	2.39	26000	32000
	28	8	0.3	4.98	2.39	26000	32000
	32	10	0.6	6.89	3.1	22000	28000
	32	10	0.6	6.89	3.1	22000	28000
	37	12	1	9.75	4.15	19000	24000
	37	12	1	9.75	4.15	19000	24000
15	28	7	0.3	4.31	1.94	24000	30000
	32	9	0.3	5.48	2.8	22000	28000
	32	9	0.3	5.48	2.8	22000	28000
	35	11	0.6	7.8	3.75	19000	24000
	35	11	0.6	7.8	3.75	19000	24000
	42	13	1	11.4	5.4	17000	20000
	42	13	1	11.4	5.4	17000	20000
17	35	10	0.3	5.93	3.18	19000	24000
	35	10	0.3	5.93	3.18	19000	24000
	40	12	0.6	9.56	4.75	17000	20000
	40	12	0.6	9.56	4.75	17000	20000
	47	14	1	13.5	6.5	15500	18000
	47	14	1	13.5	6.5	15500	18000
20	37	9	0.3	6.38	3.68	18000	22000
	37	9	0.3	6.38	3.68	18000	22000
	42	12	0.6	9.17	4.9	17000	20000
	42	12	0.6	9.17	4.9	17000	20000
	47	14	1	12.7	6.5	15000	18000
	47	14	1	12.7	6.5	15000	18000
	52	15	1.1	15.9	7.8	13000	16000
	52	15	1.1	15.9	7.8	13000	16000
	52	15	1.1	15.9	7.8	13000	16000
22	47	12	0.6	7.74	4.96	15500	18500
	47	12	0.6	11	6.42	15000	18000
25	37	7	0.3	4.27	2.63	16500	19500
	37	7	0.3	4.27	2.63	16500	19500

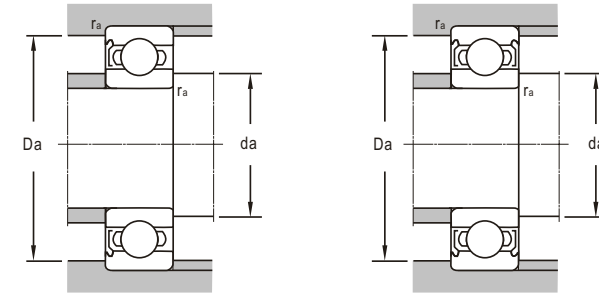
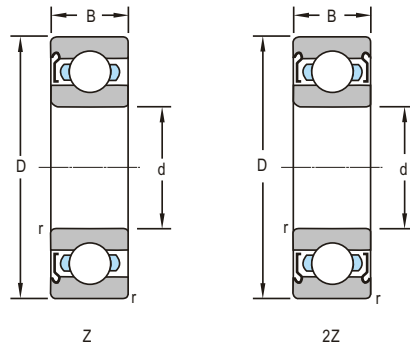
Bearing Designations		Mounting Dimensions			Mass
Present	Original	<i>D_{amin}</i>	<i>D_{amax}</i>	<i>r_{amax}</i>	
		mm			kg
6200E-Z	60200E	14	26	0.6	0.0304
6200E-2Z	80200E	14	26	0.6	0.0296
6300E-Z	60300E	14	31	0.6	0.051
6300E-2Z	80300E	14	31	0.6	0.0486
6001E-Z	60101E	14	26	0.3	0.02
6001E-2Z	80101E	14	26	0.3	0.0194
6201E-Z	60201E	16	28	0.6	0.0346
6201E-2Z	80201E	16	28	0.6	0.0339
6301E-Z	60301E	17	32	1	0.0572
6301E-2Z	80301E	17	32	1	0.0565
61902E-2Z		17	26	0.3	0.0139
6002E-Z	60102E	17	30	0.3	0.0297
6002E-2Z	80102E	17	30	0.3	0.0289
6202E-Z	60202E	19	31	0.6	0.0412
6202E-2Z	80202E	19	31	0.6	0.0395
6302E-Z	60302E	20	37	1	0.0803
6302E-2Z	80302E	20	37	1	0.0802
6003E-Z	60103E	19	33	0.3	0.0374
6003E-2Z	80103E	19	33	0.3	0.0366
6203E-Z	60203E	21	36	0.6	0.0657
6203E-2Z	80203E	21	36	0.6	0.0647
6303E-Z	60303	22	42	1	0.0109
6303E-2Z	80303	22	42	1	0.0108
61904E-Z		22.4	34.8	0.3	0.036
61904E-2Z		22.4	34.8	0.3	0.0359
6004E-Z	60104E	24	38	0.6	0.0677
6004E-2Z	80104E	24	38	0.6	0.0667
6204E-Z	60204E	25	42	1	0.104
6204E-2Z	80204E	25	42	1	0.103
6304E-Z	60304E	26.5	45.5	1	0.142
6304E-2Z	80304E	26.5	45.5	1	0.14
62/22 EX1-Z		26	43	0.6	0.0441
60/22 EX1-Z					0.0857
61805-Z		27	35	0.3	0.0222
61805-2Z		27	35	0.3	0.0222



d 25~45mm

Boundary Dimensions				Basic Load Ratings		Limiting Speeds	
d	D	B	r _{min}	Dynamic C	Static C ₀	Grease	Oil
mm				kN		r/min	
25	47	12	0.6	11	6.42	15000	18000
	47	12	0.6	11	6.42	15000	18000
	47	12	1	11	6.42	15000	18000
	52	15	1	14.5	8.3	12000	15000
	52	15	1	14.5	8.3	12000	15000
	62	17	1.1	22.5	11.6	11000	14000
62	17	1.1	22.5	11.6	11000	14000	
30	42	7	0.3	4.4	3	15000	18000
	42	7	0.3	4.4	3	15000	18000
	55	13	1	13.5	8.15	12000	15000
	55	13	1	13.5	8.15	12000	15000
	62	16	1	19.5	11.2	10000	13000
	62	16	1	19.5	11.2	10000	13000
	62	16	1	19.5	11.2	10000	13000
	72	19	1.1	28.1	16	9000	11000
	72	19	1.1	28.1	16	9000	11000
	35	62	14	1	16	10.3	10000
62		14	1	16	10.3	10000	13000
72		17	1.1	25.5	15.3	9000	11000
72		17	1.1	25.5	15.3	9000	11000
80		21	1.5	35.7	19.5	8500	10000
80		21	1.5	35.7	19.5	8500	10000
40	62	12	0.6	13.5	9.75	10000	13000
	62	12	0.6	13.5	9.75	10000	13000
	68	15	1	16.8	11.7	9200	11600
	68	15	1	16.8	11.7	9200	11600
	80	18	1.1	32	18.6	8200	9700
	80	18	1.1	32	18.6	8200	9700
	90	23	1.5	40.8	24	5500	
	90	23	1.5	40.8	24	5500	
	90	23	1.5	41.5	24.3	7300	8700
	90	23	1.5	41.5	24.3	7300	8700
45	75	16	1	21	14.9	8300	10500
	75	16	1	21	14.9	8300	10500
	85	19	1.1	33.2	21	7500	8700
	85	19	1.1	33.2	21	7500	8700
	85	19	1.1	31.7	20.8	7500	8700

Bearing Designations		Mounting Dimensions			Mass
Present	Original	D _{amin}	D _{amax}	r _{amax}	
		mm			kg
6005 E-Z	60105E	29	43	0.6	0.0753
6005 E-2Z	60105E	29	43	0.6	0.0766
6005 WB1-Z	260105K	29	43	0.6	0.0809
6205 E-Z	60205E	30	47	1	0.129
6205 E-2Z	80205E	30	47	1	0.127
6305 E-Z	60305E	31.5	55.5	1	0.219
6305 E-2Z	80305E	31.5	55.5	1	0.219
61806-Z		32	40	0.3	0.0256
61806-2Z		32	40	0.3	0.0255
6006 E-Z	60106E	35	50	1	0.109
6006 E-2Z	80106E	35	50	1	0.111
6206 E-Z	60206E	35	57	1	0.198
6206 E-2Z	80206E	35	57	1	0.197
6206 E-2Z/HTB		35	57	1	0.196
6306 E-Z	60306E	36.5	65.5	1	0.348
6306 E-2Z	80306E	36.5	65.5	1	0.347
6007 E-Z	60107E	40	57	1	0.149
6007 E-2Z	80107E	40	57	1	0.15
6207 E-Z	60207E	41.5	65.5	1	0.283
6207 E-2Z	80207E	41.5	65.5	1	0.28
6307 E-Z	60307E	43	72	1.5	0.461
6307 E-2Z	80307E	43	72	1.5	0.465
61908-Z		43.2	58.8	0.6	0.12
61908-2Z		43.2	58.8	0.6	0.119
6008 E-Z	60108E	45	63	1	0.189
6008 E-2Z	80108E	45	63	1	0.193
6208 E-Z	60208E	46.5	73.5	1	0.352
6208 E-2Z	80208E	46.5	73.5	1	0.345
6308 E-2ZTN1/P64Z2YA		49	81	1.5	0.591
6308 E-2ZP64Z2YA		49	81	1.5	0.612
6308 E-Z	60308E	48	82	1.5	0.606
6308 E-2Z	80308E	48	82	1.5	0.603
6009 E-Z	60109E	50	70	1	0.231
6009 E-2Z	80109E	50	70	1	0.236
6209 E-Z	60209E	51.5	78.5	1	0.402
6209 E-2Z	80209E	51.5	78.5	1	0.397
6209 E-2Z/YA		51.5	78.5	1	0.437



d 45~95mm

Boundary Dimensions				Basic Load Ratings		Limiting Speeds	
<i>d</i>	<i>D</i>	<i>B</i>	<i>r_{min}</i>	Dynamic <i>C</i>	Static <i>C₀</i>	Grease	Oil
mm				kN		r/min	
45	100	25	1.5	52.8	30.5	6500	7800
	100	25	1.5	52.8	30.5	6500	7800
50	80	16	1	21.8	16.6	8000	9700
	80	16	1	22	16.2	8000	9700
	80	16	1	22	16.2	8000	9700
	90	20	1.1	35.4	23.8	6800	8200
	90	20	1.1	35.4	23.8	6800	8200
	110	27	0.2	61.8	37.9	4300	
55	100	21	1.5	43.3	28.1	6100	7300
	100	21	1.5	43.3	28.1	6100	7300
	120	29	2	71.5	44.6	5400	6500
	120	29	2	71.5	44.6	5400	6500
60	110	22	1.5	53.3	33.5	5400	6800
	110	22	1.5	53.3	33.5	5400	6800
65	100	18	1.1	32.1	24.9	6000	7600
	100	18	1.1	32.1	24.9	6000	7600
	120	23	1.5	56.5	41.2	5100	6100
	120	23	1.5	56.5	41.2	5100	6100
70	125	24	1.5	60.8	46.5	4800	5800
	125	24	1.5	60.8	46.5	4800	5800
75	130	25	1.5	65	50.5	4600	5400
	130	25	1.5	64.3	47.5	4600	5400
80	140	26	2	72.7	53	4400	5100
	140	26	2	72.7	53	4400	5100
	170	39	1.5	123	86.5	2800	
85	130	22	1.1	50.3	41.2	4800	5600
	130	22	1.1	50.3	41.2	4800	5600
	150	28	2	83.2	64	4200	4800
	150	28	2	83.2	64	4200	4800
90	190	43	2	143	107	2400	
95	145	24	1.5	79	55	4200	4800
	145	24	1.5	79	55	4200	4800

Bearing Designations		Mounting Dimensions			Mass
Present	Original	<i>D_{amin}</i>	<i>D_{amax}</i>	<i>r_{amax}</i>	
		mm			kg
6309E-Z	60309E	53	92	1.5	0.815
6309E-2Z	80309E	53	92	1.5	0.814
6010E/YA/P53V2			75.4	1	0.264
6010E-Z	60110E	55	75	1	0.257
6010E-2Z	80110E	55	75	1	0.263
6210E-Z	60210E	56.5	83.5	1	0.47
6210E-2Z	80210E	56.5	83.5	1	0.476
6310 E-2ZTN1/P64Z2YUA		59	101	0.2	1.03
6310E-Z	60310E	59	101	2	1.06
6310E-2Z	80310E	59	101	2	1.05
6211E-Z	60211E	63	92	1.5	0.614
6211E-2Z	80211E	63	92	1.5	0.621
6311E-Z	60311E	64	111	2	1.35
6311E-2Z	80311E	64	111	2	1.37
6212E-Z	60212E	68	102	1.5	0.793
6212E-2Z	80212E	68	102	1.5	0.791
6013E-Z	60113E	71.5	93.5	1	0.406
6013E-2Z	80113E	71.5	93.5	1	0.414
6213E-Z	60213E	73	112	1.5	0.988
6213E-2Z	80213E	73	112	1.5	0.986
6214E-Z	60214E	78	117	1.5	1.1
6214E-2Z	80214E	78	117	1.5	1.1
6215E-Z	60215E	83	122	1.5	1.25
6215E-2Z	80215E	83	122	1.5	1.28
6216-Z	60216	89	131	2	1.46
6216-2Z	80216	89	131	2	1.47
6316 E-2ZP64Z2YA		92	158	1.5	3.66
6017E-Z	60117E	91.5	123.5	1	0.832
6017E-2Z	80117E	91.5	123.5	1	0.835
6217E-Z	60217E	94	141	2	1.87
6217E-2Z	80217E	94	141	2	1.95
6318 E-2Z/C4YA		104	176	2	4.99
6019E-Z	60119E	103	137	1.5	1.17
6019E-2Z	80119E	103	137	1.5	1.19